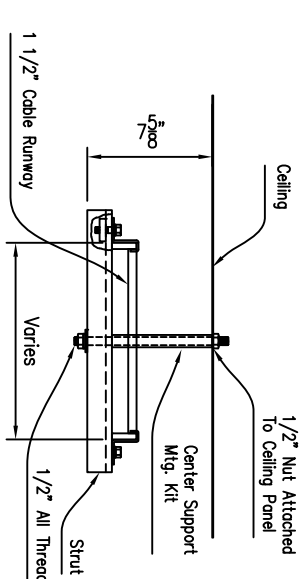
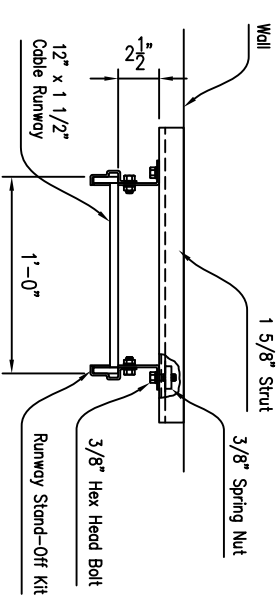


Plan View



Cable Runway Ceiling Mtg. Detail



Cable Runway Wall Mtg. Detail

Note: Unistrut with "Nutserts" will be used to support all cable runway— spaced not more than 60" Sammy fasteners may not be used to support cable runway

Reference Note:  
Building Can Be Built Mirror Image

REV	DESCRIPTION	BY	DATE	REV	DESCRIPTION	BY	DATE
---	-----	---	---/---/---				

1919 POLYMER DRIVE  
CHATTANOOGA, TN 37421  
PH: 423 884 9288  
F: 423 884 9337

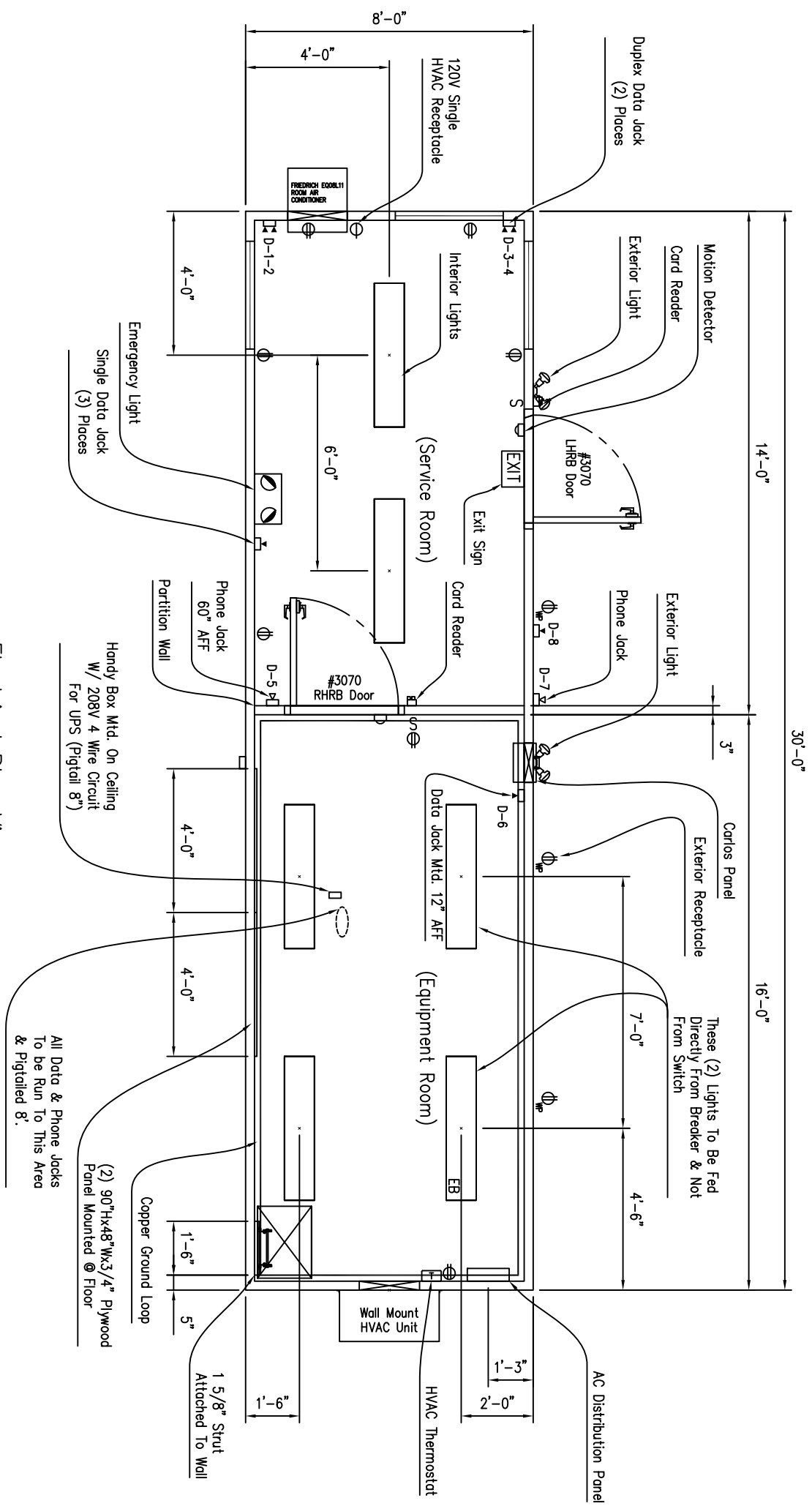
**LECTRUS**  
ENGINEERED TO SPEC. BUILT TO LAST.

1318 BAMMEL ROAD  
HOUSTON, TX 77073  
PH: 832 296 1200  
F: 832 296 1201

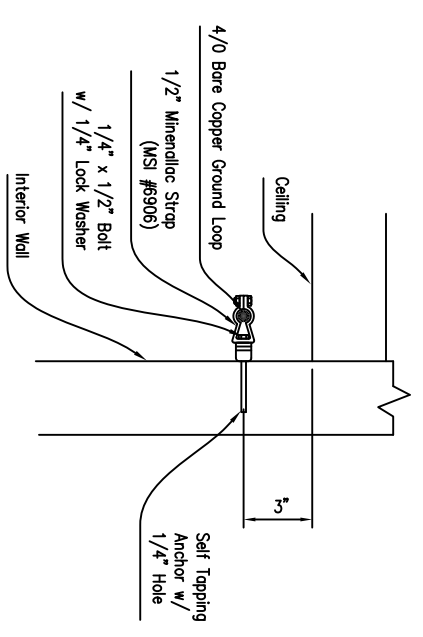
DD NDT SCALE DRAWING

Drawn By:	Customer: Lectrus Corporation
Checked By:	Project Name: 8' x 30' Stock Building
Scale: NONE	Drawing Title:
Date:	Drawing No.:
	P.O.#:
	TOL.:
	S.D.#:
	Rev No. 0

Concealed  
Seal-Tite  
Conduit



Electrical Plan View



4/0 Bare Copper Cable  
Ground Loop Mounting Detail  
Maximum Spacing- 36" Center to Center

**Notes:**  
All 4 Post Racks To Be Attached To Halo Ground (Ground Loop).  
Halo Ground To Be Attached To Outside Lug (Reference Ground Loop Detail To Ground Pod Detail)

All Building Ethernet Jack Cables Are Routed To Above The IAR1 With Coiled 8 Ft. Of Extra Cable  
Label Data Port Covers As Shown On Drawings

REV	DESCRIPTION	BY	DATE	REV	DESCRIPTION	BY	DATE
---	-----	---	---/---/---	---	-----	---	---/---/---

1919 POLYMER DRIVE  
CHATTANOOGA, TN 37421  
PH: 423 884 9288  
F: 423 884 9337

**LECTRUS**  
ENGINEERED TO SPEC. BUILT TO LAST.

1318 BAMMEL ROAD  
HOUSTON, TX 77073  
PH: 832 296 1200  
F: 832 296 1201

DD NDT SCALE DRAWING

Drawn By:	Checked By:
Scale: NONE	Date:

Customer: Lectrus Corporation	Project Name: 8' x 30' Stock Building
Drawing Title:	Drawing No.:
P.O.#:	T.O.L.#:
S.O.#:	Rev No. 0